

# PRODUCT INFORMATION PACKET

**marathon**<sup>®</sup>  
Motors

Model No: 365TSTDS16008  
Catalog No: U449A  
75,3600,DP,365TSC,3/60/230/460  
Open Drip Proof (ODP)



Regal and Marathon are trademarks of Regal Beloit Corporation or one of its affiliated companies.  
©2018 Regal Beloit Corporation, All Rights Reserved. MC017097E

**REGAL**<sup>®</sup>

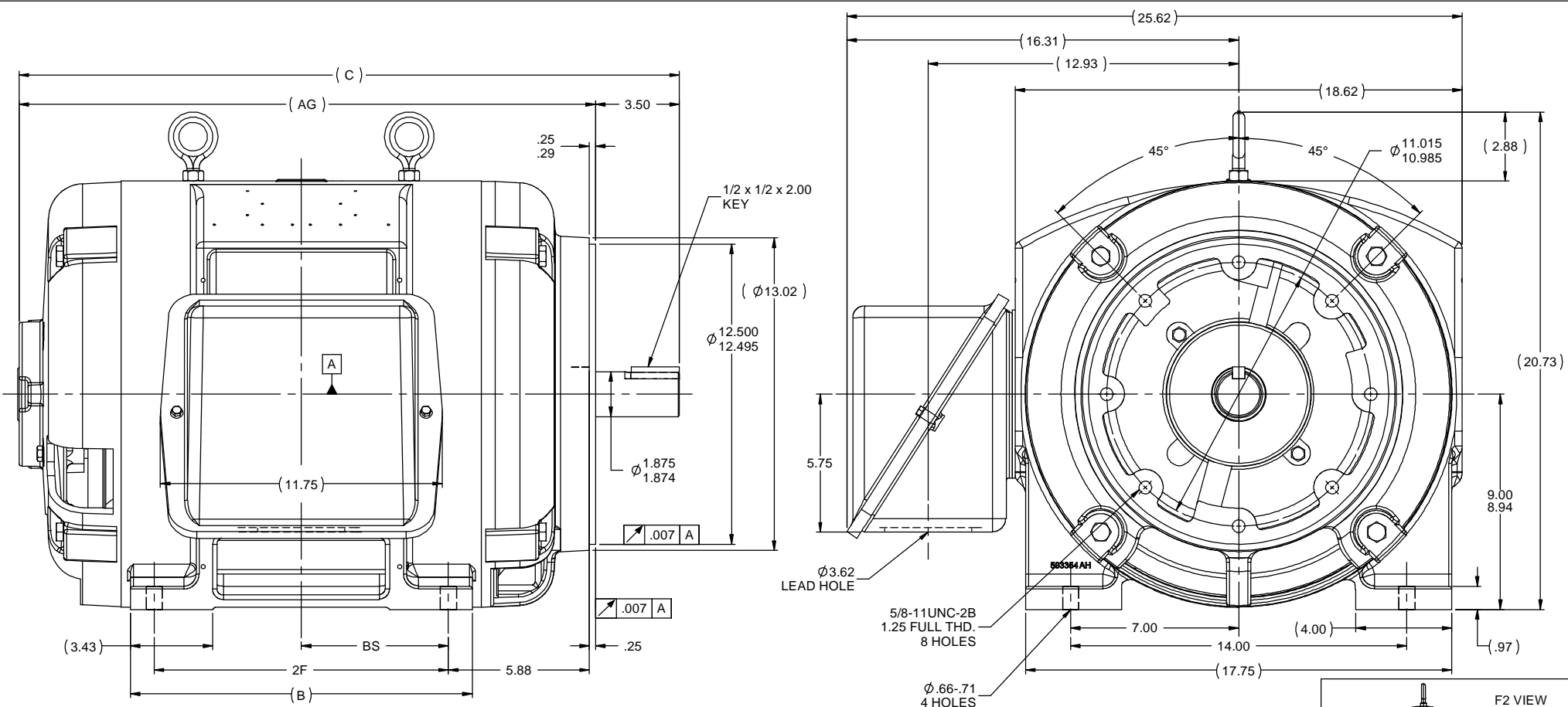


### Nameplate Specifications

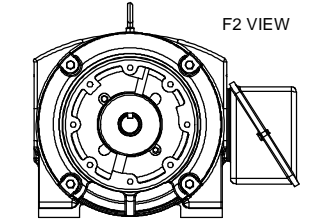
Output HP	<b>75 Hp</b>	Output KW	<b>56.0 kW</b>
Frequency	<b>60 Hz</b>	Voltage	<b>230/460 V</b>
Current	<b>170.0/85.0 A</b>	Speed	<b>3560 rpm</b>
Service Factor	<b>1.15</b>	Phase	<b>3</b>
Efficiency	<b>94.5 %</b>	Duty	<b>Continuous</b>
Insulation Class	<b>B</b>	Design Code	<b>B</b>
KVA Code	<b>G</b>	Frame	<b>365TSC</b>
Enclosure	<b>Drip Proof</b>	Overload Protector	<b>No</b>
Ambient Temperature	<b>40 °C</b>	Drive End Bearing Size	<b>6312</b>
Opp Drive End Bearing Size	<b>6312</b>	UL	<b>Recognized</b>
CSA	<b>Y</b>	CE	<b>Y</b>
IP Code	<b>12</b>		

### Technical Specifications

Electrical Type	<b>Squirrel Cage Induction Run</b>	Starting Method	<b>Part Wdg Start Low Volt Only &amp; Wye Start Delta Run</b>
Poles	<b>2</b>	Rotation	<b>Reversible</b>
Mounting	<b>Rigid base</b>	Motor Orientation	<b>Horizontal</b>
Drive End Bearing	<b>Ball</b>	Opp Drive End Bearing	<b>Ball</b>
Frame Material	<b>Cast Iron</b>	Shaft Type	<b>TS</b>
Overall Length	<b>27.5 in</b>	Frame Length	<b>15.00 in</b>
Shaft Diameter	<b>1.875 in</b>	Shaft Extension	<b>3.5 in</b>
Assembly/Box Mounting	<b>F1/F2 Capable</b>		
Outline Drawing	<b>B-SS508618-1500</b>	Connection Diagram	<b>A-EE7308AA</b>



NOTES:  
 1. CONDUIT BOX CAN BE ROTATED IN 90° STEPS.  
 2. CONDUIT BOX CAN BE MOUNTED ON OPPOSITE SIDE BY REMOVING BRACKETS AND TURNING FRAME 180°.  
 3. NAMEPLATES TO BE READ FROM CONDUIT BOX SIDE OF MOTOR.



(B-SS509469)

DASH	FRAME	B	C	AG	2F	BS
1400	364TSC	13.25	26.50	23.00	11.25	5.62
1500	365TSC	14.25	27.50	24.00	12.25	6.12

NO		REVISION	BY & DATE	CHK	ANG	±	FINISH	DRAWN	
8	MODELED IN SOLIDWORKS & ADDED F2 VIEW	MU 97811	JJB 11/2/2010	X		±.1		TLB	02-04-1988
7	UPDATED FRAME & CONDUIT BOX	CN 24390	KL 4/4/2005	XX		±.03	TITLE	FG	02-04-1988
6	REDRAWN IN AUTOCAD		TAT 6/29/2004	ML	XXX	±.005	360TSC FR. - DR. PR. - C'FACE	SCALE	1:4
5	REDRAWN ON CAD		TLB 2/4/1988		XXXX	±.0005	MATL	REF	
						±7'30"		FMF	
								PAGE	OF



RFP	02-04-1988	PREV		SIZE	DRAWING NO	REV
NETWORK FILE NAME	SS508618			B	SS508618	8



### LOW VOLTAGE

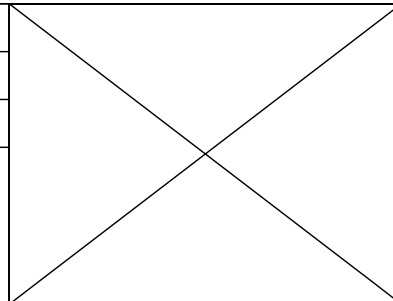


### HIGH VOLTAGE



### VIEW OF TERMINAL END

DRAWING REVISION <b>K</b>	REVISION BY <b>AJW</b>	DATE <b>07-17-2015</b>
ECO <b>ECO-0081632</b>	APPROVED BY <b>T. VUE</b>	DATE <b>07-17-2015</b>
ECO DESCRIPTION <b>REV'D IEC MARKINGS PER IEC 60034-8</b>		
<small>                     COPYRIGHT REGAL BELOIT AMERICA, INC. ALL RIGHTS RESERVED.                      PROPRIETARY AND CONFIDENTIAL INFORMATION - THIS DOCUMENT IS THE PROPERTY OF                      REGAL BELOIT AMERICA, INC. ("OWNER") AND CONTAINS OWNER'S PROPRIETARY                      INFORMATION. ANY PERSON, CORPORATION OR OTHER FIRM RECEIVING IT IS DEEMED,                      BY RECEIVING IT, TO AGREE THAT IT, AND/OR ANY PART OF IT, SHALL NOT BE DISCLOSED                      TO ANY PERSON, CORPORATION OR OTHER ENTITY, DUPLICATED, AND/OR USED, EXCEPT                      AS EXPRESSLY APPROVED IN WRITING IN ADVANCE BY OWNER. THIS DOCUMENT SHALL                      BE RETURNED TO OWNER UPON REQUEST. IT MAY BE SUBJECT TO CERTAIN                      RESTRICTIONS UNDER APPLICABLE EXPORT CONTROL LAWS AND REGULATIONS.                 </small>		



DRAWN BY <b>LZ</b>	<b>Regal Beloit America, Inc.</b>	
DATE <b>01-12-1994</b>		
APPROVED BY <b>GK</b>	<b>DESCRIPTION</b> <b>CONN DIAGRAM-EXTERNAL</b> <b>3Ø-2/1 DELTA-12 LEADS</b>	
DATE <b>01-14-1994</b>		
REFERENCE	MATERIAL	PROCESS/FINISH
THIRD ANGLE PROJECTION	SIZE <b>A</b>	DRAWING NUMBER <b>EE7308AA</b>
		SHEET <b>1 OF 1</b>

**CERTIFICATION DATA SHEET**

**Model#:** 365TSTDS16008 AN      **WINDING#:** T364243 NONE 1  
**CONN. DIAGRAM:** A-EE7308AA      **ASSEMBLY:** F1/F2 CAPABLE  
**OUTLINE:** B-SS508618-1500

**TYPICAL MOTOR PERFORMANCE DATA**

HP	KW	SYNC. RPM	F.L. RPM	FRAME	ENCLOSURE	KVA CODE	DESIGN
75&60	56&45	3600	3560&2960	365TSC	DP	G	B

PH	Hz	VOLTS	FL AMPS	START TYPE	DUTY	INSL	S.F	AMB°C	ELEVATION
3	60/50	230/460#190/ 380	170/85&162/8 1	PWS(LV ONLY) & YDRUN	CONTINUOUS	B1	1.15/1.15	40	3300

FULL LOAD EFF:	3/4 LOAD EFF:	1/2 LOAD EFF:	GTD. EFF	ELEC. TYPE	NO LOAD AMPS
94.5&95.4	95	95			
FULL LOAD PF: 87&87	3/4 LOAD PF: 84	1/2 LOAD PF: 77	94.1	SQ CAGE IND RUN	50 / 25

F.L. TORQUE	LOCKED ROTOR AMPS	L.R. TORQUE	B.D. TORQUE	F.L. RISE°C
111 LB-FT	1084 / 542	170 LB-FT 153	309 LB-FT 278	30

SOUND PRESSURE @ 3 FT.	SOUND POWER	ROTOR WK^2	MAX. WK^2	SAFE STALL TIME	STARTS / HOUR	APPROX. MOTOR WGT
80 dBA	90 dBA	7.3 LB-FT^2	- LB-FT^2	15 SEC.	2	750 LBS.

**\*\*\* SUPPLEMENTAL INFORMATION \*\*\***

DE BRACKET TYPE	ODE BRACKET TYPE	MOUNT TYPE	ORIENTATION	SEVERE DUTY	HAZARDOUS LOCATION	DRIP COVER	SCREENS	PAINT
C-FACE	STANDARD	RIGID	HORIZONTAL	FALSE	NONE	FALSE	NONE	BLUE (ENAMEL)

BEARINGS		GREASE	SHAFT TYPE	SPECIAL DE	SPECIAL ODE	SHAFT MATERIAL	FRAME MATERIAL
DE	OPE						
BALL	BALL	POLYREX EM	TS	NONE	NONE	1045 HOT ROLLED (C-204)	CAST IRON
6312	6312						

THERMO-PROTECTORS				THERMISTORS	CONTROL	SPACE /n HEATERS
THERMOSTATS	PROTECTORS	WDG RTDs	BRG RTDs			
NONE	NOT	NONE	NONE	NONE	FALSE	NONE VOLTS

If Inverter equals NONE, contact factory for further information

INVERTER TORQUE: NONE
INV. HP SPEED RANGE: NONE
ENCODER: NONE
NONE NONE
NONE NONE PPR
BRAKE: NONE NONE
NONE P/N NONE
NONE NONE
- FT-LB NONE V NONE Hz

\*  
N  
O  
T  
E  
S  
\*

DATE: 06/21/2017 08:48:52 AM  
FORM 3531 REV.3 02/07/99

\*\* Subject to change without notice.

Data Sheet

3657S/TDS16008



Submittal  
Data @ 460 V

Date: 6/29/2017

Customer: \_\_\_\_\_  
Attention: \_\_\_\_\_  
Submitted by: FAREEDA DUDEKULA

Motor Load Data

Load	0%	25%	50%	75%	100%	115%	125%	LR
Current (Amps)	25.0	33.0	48.0	66.0	85.0	98.0	107	542
Torque (ft-lb)	0.00	27.0	55.0	83.0	111	127	139	170
RPM	3600	3590	3580	3570	3560	3550	3545	0
Efficiency (%)		92.4	95.0	95.0	94.5	94.5	94.1	
P.F. (%)	6.0	57.0	77.0	84.0	87.0	87.0	88.0	32.0

Motor Speed Data

	LR	Pull-Up	BD	Rated	Idle
Speed (rpm)	0	1800	3330	3660	3600
Current (Amps)	542	520	337	85.0	25.0
Torque (ft-lb)	170	166	309	111	0.00

Information Block

HP	75.0			
Sync. RPM	3600			
Frame	364			
Enclosure	DP			
Construction	TDS			
Voltage	30/460#190/38 V			
Frequency	60 Hz			
Design	A			
LR Code letter	G			
Service Factor	1.15			
Temp Rise @ FL	30 °C			
Duty	CONT			
Ambient	40 °C			
Elevation	1,000 feet			
Rotor/Shaft wkt	7.3 Lb-Fe			
Ret Wdg	T364243 NONE			
Sound Pressure @ 1M	80 dBA			
VFD Rating	NONE			
Outline Dwg	B-SS508618-1500			
Conn. Diag	A-EET/308AA			
Additional Specifications:				
EQUIV CKT (OHMS / PHASE)				
R1	R2	X1	X2	Xm
0.0510	0.0370	0.3330	0.2880	10.5540

